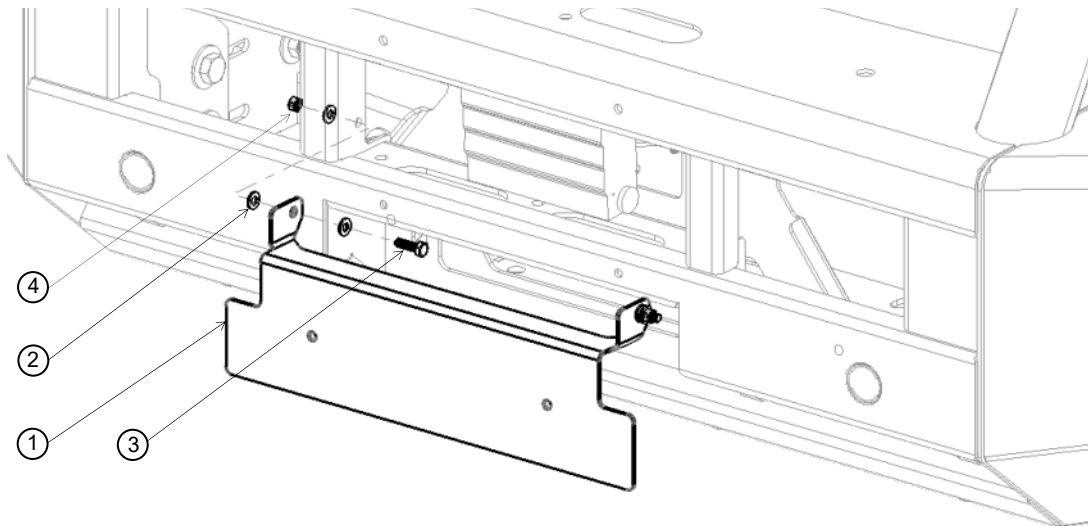


INSTALLATION GUIDE

NUMBER PLATE MOUNT HINGED
BPEPKITLP01 (42803000030)
Suits: Most models. See website.



ITEM	PART NAME	QTY	PART NO.
1	NUMBER PLATE MOUNT	1	BOCG0008
2	M6 X Ø12.5MM FLAT WASHER	6	

ITEM	PART NAME	QTY	PART NO.
3	M6 X 1.0 X 20MM HEX HEAD BOLT	2	
4	M6 X 1.0 NYLOC NUT	2	

<http://www.bocar.com.au/products/Bullbars/BPEPKITLP01>

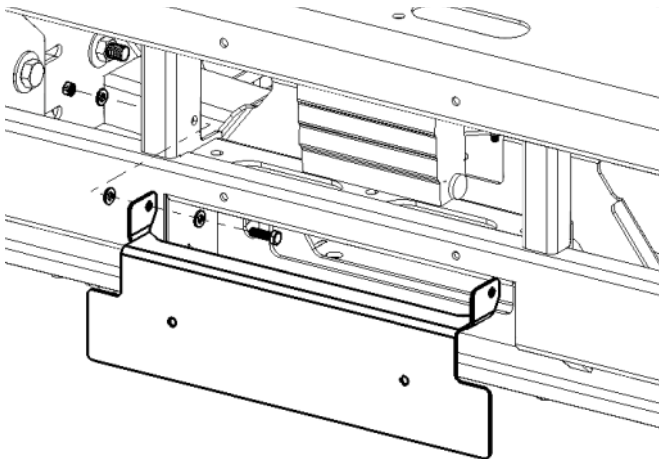
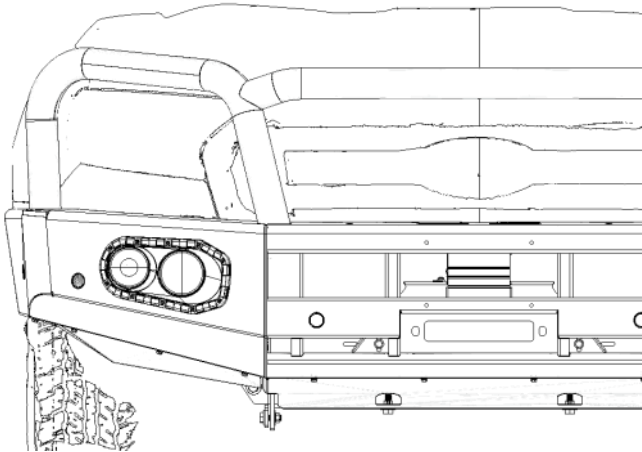


Important Notes:

- Please read through these instructions from start to finish before commencing any work.
- Ensure All bolts are tightened to relevant tension setting listed as below.

Bolt tensions	Dia. (mm)	Nm
All bolt tensions are as follows unless otherwise specified.	5	5
	6	9
	8	22
	10	44
	12	77

1. Before fitting, please check the accessory is compatible with your vehicle.



2. Fit number plate mount to the front face of the bar with fasteners, then repeat it for opposite side with using :

- M6 x 1.0 x 20mm hex bolts (2)
- M6 x Ø12.5mm Flat Washers (6)
- M6 x 1.0 Nyloc Nuts (2)

Note: fit single washer between

3. Attach license plate and check all bolts are tightened to relevant torque setting listed on page 2.

